



Features:

- Battery Capacity and Voltage LCD Color Display
- Throttle On/Off Switch
- ESC On/Off Switch

Servo Tester Component Specifications:

Output: $\leq 15\text{mA}$ (5.0)
Input: DC 4.2-6.0v
Output signal: $1.5\text{ms} \pm 0.5\text{ms}$

Voltage Range: 0-100v

Default Lithium Battery Percentage Range: 60-70v

4xAAA Replaceable Battery located inside the throttle. This battery supplies servo tester component.

ESC Connectors:



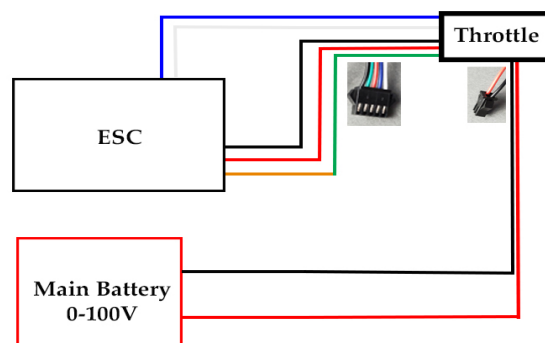
Connect the E-Power Hobby electric paramotor throttle to ESC:

There are 2 sets of wires on the throttle. First set 5 wires: black, green, red, blue and white. Second set red and black (connect to main power battery: red to positive, black to negative. This is main battery voltage display. **DO NOT CONNECT FIRST SET OF WIRES TO MAIN BATTERY**).

First set of wires:

Connect green wire to orange wire on ESC, red wire to red wire on esc and black wire to black wire)

If ESC having on/off switch, connect blue and white wires to this on/off switch.



Turn on ESC

When all wires connected, turn on throttle in following pattern:

- 1. Turn on Left switch (located under voltage display). Make sure LED light is on.*
- 2. Turn on Right switch (this will turn your ESC on). Wait couple of seconds until your ESC is ready to run.*

Turn off ESC:

- 1. Turn off right switch first.*
- 2. Turn off left switch to make sure LED light is off.*